



Capital-Solution Blackthorn S52 Electric Stove

Solution Fires

Please contact for pricing information

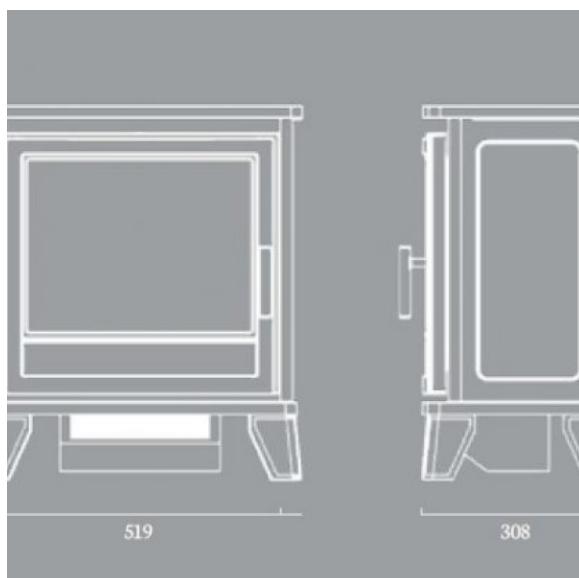
Product Description

The Blackthorn S52 ELECTRIC

The Bassington electric stove is designed to mimic a traditional log burner, forging a cosy and warm ambience within your living space. With its stunning flame patterns and realistic hand decorated loose log fuel bed, the Blackthorne electric stove is a great addition to any home. Paying homage to our number one best-selling multifuel stove, this electric version of our Blackthorne ECO allows homes without a chimney or gas supply to indulge in the enjoyment of having a stove. The Bassington electric stove provides a 1kW – 2kW heat output for a generous burst of heat into the room.

On mild summer evenings when you don't need additional heat, you can still enjoy the ambience of this stove by using the flame only setting. Featuring 4 brightness settings and 16 flame effect colours, this remotecontrol stove offers plenty of choice from the comfort of your sofa. Without the need for a chimney or flue, this versatile stove can be placed almost anywhere in the home. For added realism, the Bassington electric stove is supplied with a decorative flue spigot allowing the addition of flue pipe to suit your aesthetic requirements.

Additional Images



Product Specification

Fuel	Electric
Installation Type	Inset In Fireplace
Glass Front	Standard Glass
Fuel Bed	Coals, Logs
Flame Effect	Electronic flame effect
Control	Manual, Remote - Basic
Flame Adjustment	Brightness, Colour
Casing Colour	Black
Output (kW)	Max: 2 kW, Min: 1kW
Guarantee	2 Years